



## Box Culverts (RCBC)



Inverted crown & lid



Standard crown & base



Multicell arrangement  
with link slabs

SPAN (mm)	MIN LEG (mm)	MAX LEG (mm)	LENGTH
300	300	1200	2440
600	300	1200	2440
900	300	1200	2440
1200	300	1200	2440
1500	300	1200	2440
1800	300	2400	1220
2100	300	2400	1220
2400	300	2400	1220
2700	300	2400	1220
3000	300	3600	1220
3300	300	3600	1220
3600	300	3600	1220

Precast slabs & crowns

Link slabs

Precast wing walls

MASSBLOC wing walls

Checked link slabs & multi cell units

Keyed joints & connected units available

**HUDSON CIVIL** offers a full design & construct option for RCBC units – manufactured to your requirements and applications with fully certified designs in accordance with relevant standards.



# HUDSON

CIVIL PRODUCTS

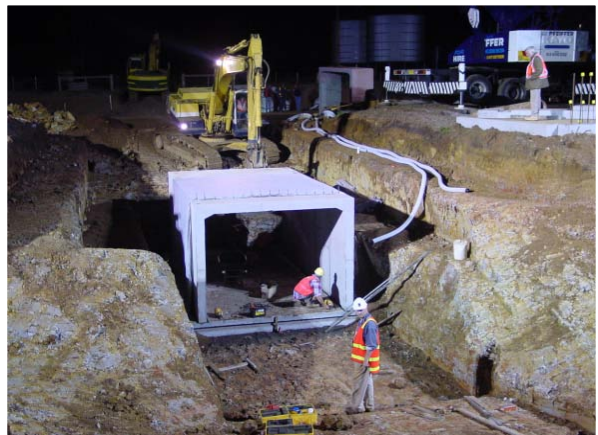
## HUDSON CIVIL PRODUCTS - The Market Leader!

Hudson Civil supplies the highest quality Box Culverts (RCBC) to the Tasmanian construction market, at the best prices.

Off the shelf models & custom designed, we supply RCBC units along with link or base slabs as required, in sizes right up to 3600mm x 3600mm (internal span x internal leg height) as standard products, and larger or custom sizes on request.

### Recent RCBC projects by HCP include:

- Glenorchy City Council 3600mm x 1800mm RCBC & base slabs
- Latrobe WW Storage tank 3600mm x 2400mm RCBC
- MVC Osmaston Rd Dual RCBC & Bases 3000mm x 2000mm
- Waratah-Wynyard Blackfish Creek RCBC & Bases 3600mm x 1500mm
- ABM Mine Site RCBC 3600mm x 3600mm
- TEMCO Blast Furnace False Floor (range up to 3300mm x 2000mm)
- Dilston bypass 3600 x 3600 stock underpass & Wingwalls
- Lyell Highway 3000 x 1200 post tensioned RCBC



**Hobart**  
10 Gepp Parade, Derwent Park, 7009  
T (03)62730463 F (03)62733438  
E [hobart@hudsoncivil.com.au](mailto:hobart@hudsoncivil.com.au)

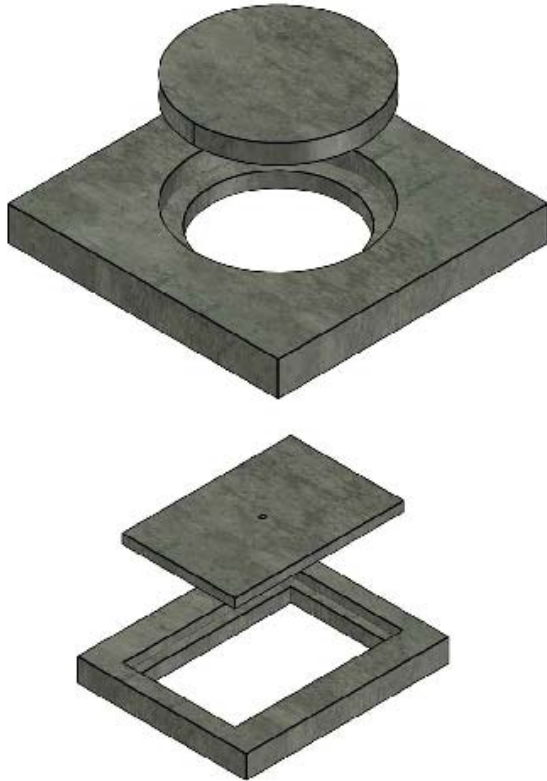


**HUDSON**  
CIVIL PRODUCTS

**Launceston**  
7 Donald's Avenue, Prospect Tas 7250  
T (03)63358200 F (03)63401881  
E [sales@hudsoncivil.com.au](mailto:sales@hudsoncivil.com.au)



## Concrete Frames & Surrounds



CODE	DESCRIPTION
CP3421	FRAMES/Entry 1200 x 900 x 150mm
CP3422	FRAMES/Entry 1200 x 1200 x 150mm

CODE	DESCRIPTION
CP3423	FRAMES/Entry 1200 x 750 x 100mm
CP3424	FRAMES/Entry 900 x 750 x 100mm
CP3426	FRAMES/Entry 1200 x 1200 x 250mm
SP300	FRAMEConcrete 508 x 508mm
SP310	FRAMEConcrete 356 x 356mm
SP308	FRAMEConcrete 620 x 420mm

CODE	DESCRIPTION
CP3425	FRAMEConcrete 1000 x 1000 x 150mm
CP3427	FRAMEConcrete 1300 x 1300 x 250mm
CP3428	FRAMEConcrete 1500 x 1400 x 250mm
HP117	FRAMEConcrete 600 x 600 x 150mm
HP129	FRAMEConcrete 800 x 800 x 150mm
HP135	FRAMEConcrete 900 x 900 x 150mm
HP193	FRAMEConcrete 900 x 600 x 150mm
HP202	FRAMEConcrete 1500 x 1100 x 200mm

These Frames have no fixed inner mould and therefore may be tailored to suit your needs, be it cast with a grated inlet or GATIC type access cover.

Any custom designed concrete frame can be manufactured by Hudson Civil.



## Concrete Pipe (SRCP)

Hudson Civil manufactures steel reinforced concrete pipe (SRCP) up to Ø 600mm in diameter and supplies ROCLA pipe from Ø 600mm up to Ø 3000mm. Effective length of both pipes is 2.44m

### Pipes up to 600mm diameter

#### RRJ PIPE



Nom. ID (mm)	Pipe OD (mm)	Socket OD (mm)	Socket Depth (mm)	Internal Diameter (mm)			Mass Kg
				Class 2	Class 3	Class 4	
300	362	451	76	300	300	300	300
375	445	540	80	375	375	375	315
450	534	622	114	450	450	450	450
525	616	711	133	534	534	502	675
600	698	797	133	610	610	586	1135

#### FJ PIPE



Nom. ID (mm)	Pipe OD (mm)	Internal Diameter			Mass Kg
		Class 2	Class 3	Class 4	
225	279	229	229	229	130
300	362	304	304	292	210
375	445	381	369	369	300
450	533	457	457	445	415
525	616	534	534	520	510
600	699	611	597	597	600

#### Joint Selection:

**Rolling rubber ring joint pipe (RRJ)** provides a flexible water tight joint. Pipes may be installed to a radius if required (please contact us to assist with this installation).

**Flush joint pipe (FJ)** is suitable for applications where both water ingress and egress is of lesser concern. Soil conditions should be quite stable due to the joint being fixed and allowing no movement at the joint.



## Safe installation and handling of concrete pipe.

- At all times, lifting devices are to be tested, tagged & appropriate for the task. A soft sling or chain may be used to pick up the pipe.
- It is important that the bedding is prepared correctly. After the levelling of the bedding material, a small amount is removed for where the sling/chain will be positioned along with where the collar on RRJ pipes will be located. Failure to allow room for the sling/chain will make it difficult to remove and the pipe will move & rotate when the sling/chain is pulled out requiring realignment to the laser. If the collar is not housed in the bedding then the pipe may bridge between collars and will not be supported by the bedding. This may crack the pipe and result in unwanted settlement of the trench backfill.
- The sling / chain should be located in the center of the pipe so it hangs level. It will make laying difficult if this is not the case.
- Place the rubber ring in the groove on the spigot. It should be stretched evenly around the pipe.
- Lower the pipe to meet the socket ensuring the pipe is level with the previous pipe with some weight still being taken by the sling / chain. When the pipe is flush to the socket, use a piece of timber and crow bar to push the pipe home.
- Lower the remainder of the way down and align to the laser light.
- Hold on to the pipe and remove the sling / chain.
- Check to make sure the pipe hasn't moved.
- A small amount of back fill should be placed on the pipe to prevent movement when pushing home future pipes if possible.

### Hobart

10 Gepp Parade, Derwent Park, 7009  
T (03)62730463 F (03)62733438  
E [hobart@hudsoncivil.com.au](mailto:hobart@hudsoncivil.com.au)



### Launceston

7 Donald's Avenue, Prospect Tas 7250  
T (03)63358200 F (03)63401881  
E [sales@hudsoncivil.com.au](mailto:sales@hudsoncivil.com.au)



## D.I.E.R Driveable End Walls

DRIVEABLE ENDWALLS

WIDTH

LENGTH

HEIGHT



CP5001

P35 Driveable end wall  $\varnothing$  300mm  
&  $\varnothing$  375mm pipes

700

1900

750



CP5001M

Modified P35  $\varnothing$  375mm pipes

700

2900

750



CP5002

P36-1 Driveable Headwall  $\varnothing$  300mm

2100

1440

580



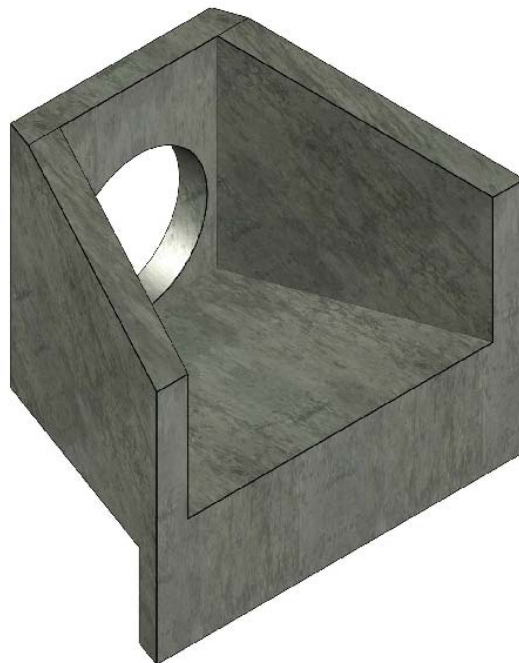
## D.I.E.R. Endwalls & Wingwalls



### FLAT ENDWALLS

CP5003	P24-2 TO SUIT 300mm PIPE
CP5004	P24-2 UP TO 450mm PIPE
CP5005	P24-2 TWIN 450
CP5006	P24-2 525 DIA
CP5007	P24-2 600 DIA

WIDTH	LENGTH	HEIGHT
1170	230	1,020
1540	230	1,100
	To DIER specifications	
	To DIER specifications	
	To DIER specifications	



### WINGWALLS

CP5010	P14-2 WINGED H/WALL 750mm
CP5008	P14-2 WINGED HWALL 1200mm
CP5011	P16 TWIN H/WALL Max 600mm
CP5012	P16 TWIN H/WALL Max 900mm

WIDTH	LENGTH	HEIGHT
2000	1250	1240
2810	2000	1650
VARIABLES	1250	1240
VARIABLES	2000	1650

\*Refer to DIER requirements for these products



**D.I.E.R Products**



**CODE** CP5300  
**DESCRIPTION** M1 DIER Surround & Class D lid  
1300mm x 1355mm x 170mm



**CODE** CP5305  
**DESCRIPTION** B1 DIER surround & Class D lid  
1300mm x 1370mm x 170mm

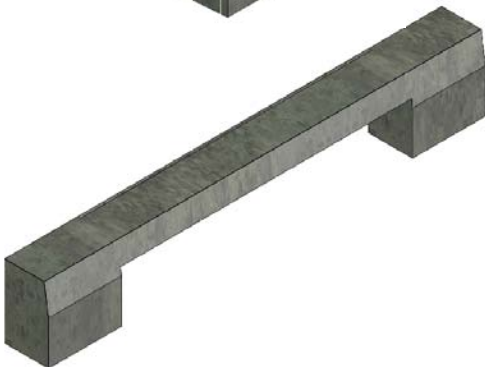
D.I.E.R Surrounds may be used with precast pits  
CP5130 *DIER PIT 900 x 900 x 1350mm*  
CP5132 *DIER RISER 900 x 900*



**CODE** CP3440  
**DESCRIPTION** Water deflector 900mm x 450mm  
(Left & right handed)



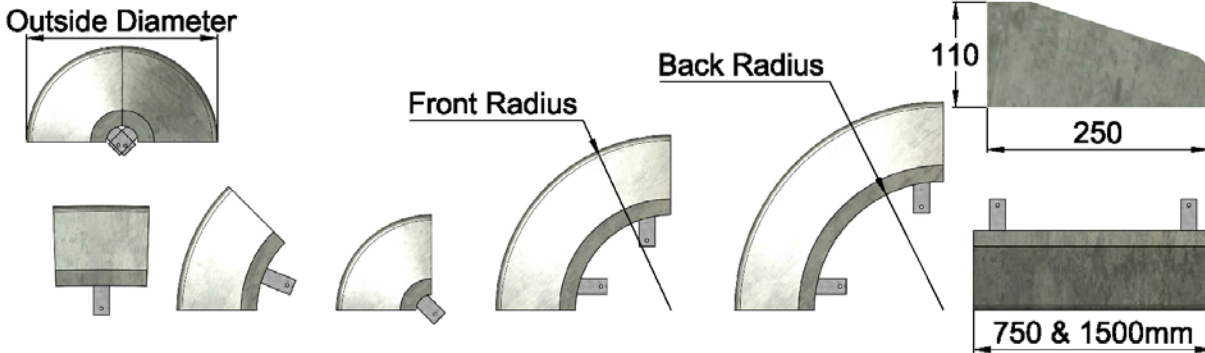
**CODE** DC902  
**DESCRIPTION** Batter Channel 565mm coverage



**CODE** CP5340  
**DESCRIPTION** P39-2 B1 DIER Kerb scupper  
1500mm x 150mm x 200mm  
CP5341 P39-2 Steel Lintel Only



## Kerb Blocks



CODE	DESCRIPTION (Low profile kerbs)	RADIUS mm		OUTSIDE DIAMETER
		FRONT	BACK	
DC465	KERB - Island L/P 300mm	5000	4750	10000
DC470	KERB-Island L/P 45D Large	530	280	1060
DC475	KERB-Island L/P 90D Small	300	50	600
DC480	KERB-Island L/P 90D Med	560	310	1120
DC485	KERB-Island L/P 90D Large	700	450	1400
DC455	KERB - Island L/P 1500mm	Straight section		
DC460	KERB - Island L/P 750mm	Straight section		



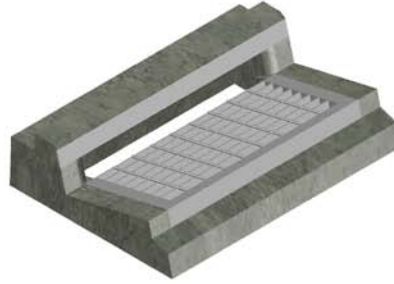
CODE	DESCRIPTION	BLOCK DIMENSIONS mm		
		Width	Height	Length
DC450	KERB - Island H/P 1500mm	230	160	1500
DC520	KERB - Island E1 1200mm	100	200	1200
DC525	KERB - Island M2 750mm	305	270	750
DC526	KERB - Island M3 750mm	305	110	750
DC527	KERB - Island B3	140	115	1200
DC530	KERB - Island B2 1500mm	150	250	1500
DC600	EDGE STRIP-Boundary 1.2m	150	90	1200



## Lintel components



CP3212 Lintel K&C Nthn 1800mm



CP3145 Lintel complete 1200mm B1 Sthn



CP3210 Lintel K&C Special Nthn 1200mm



CP3206 Lintel complete 1200mm KCM Nthn



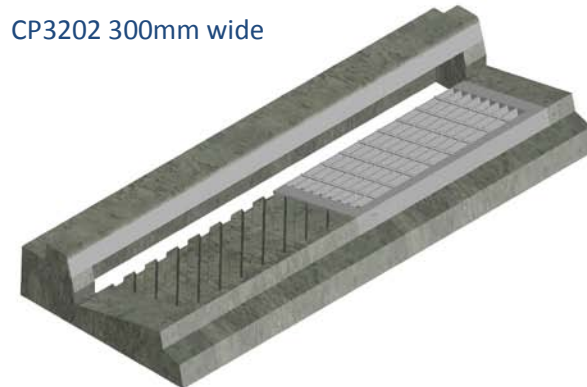
CP3211 Lintel K&C Nthn 1200mm



CP3200 Lintel complete 1200mm K&C Nthn



CP3150 Lintel B1 Sthn 1200mm



CP3202 300mm wide

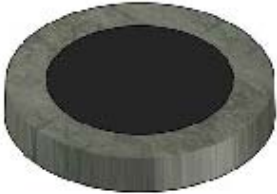


CP3215 Hinged gully grate  
1060mm x 450mm

- CP3170 Grated deflector B1 R/H 2400mm
- CP3175 Grated deflector B1 L/H 2400mm
- CP3180 Deflector B1 R/H 2400mm
- CP3185 Deflector B1 L/H 2400mm
- CP3190 Double deflector B1 L/H & R/H 2400mm
- CP3195 Double grated B1 2400mm



## Manhole Surrounds



**CP1150 SURROUND 750mm**

**CP1151 SURROUND 750mm H/D**

1010mm Diameter, 600mm Clear opening, 150mm thick  
(H/D 250mm thick)

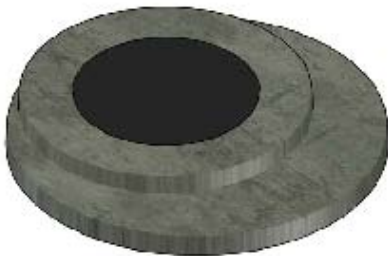
- Steel banded
- Light duty cast iron
- Heavy duty cast iron
- Heavy duty cast iron grated



**CP1160 SURROUND (Devonport) Central opening**

1395mm Diameter, 600mm Clear opening, 150mm thick

- Steel banded
- Light Duty Cast Iron (no raised section in surround)

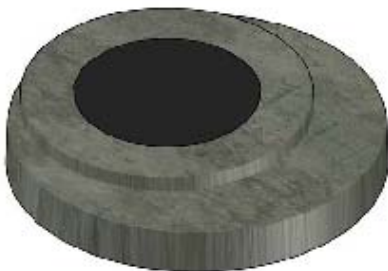


**CP1165 SURROUND – Offset cast iron lid**

**CP1167 SURROUND – Offset steel banded lid**

1390mm Diameter, 600mm Clear opening, 150mm thick

- Steel banded
- Light duty cast iron
- Light duty cast iron grated



**CP1170 SURROUND Highway (trafficable)**

1390mm Diameter, 600mm Clear opening, 235mm thick

- Heavy duty cast iron
- Heavy duty cast iron grated



## Manhole Components



<u>Code</u>	<u>Description</u>	<u>A</u>	<u>Length</u>
CP2100	MANHOLE	650mm x 300mm	
CP2105	MANHOLE	650mm x 150mm	
CP2110	MANHOLE	650mm x 450mm	
CP2203	MANHOLE	900mm x 300mm	
CP2206	MANHOLE	900mm x 600mm	
CP2209	MANHOLE	900mm x 900mm	
CP2292	MANHOLE	1050mm x 100mm	
CP2293	MANHOLE	1050mm x 150mm	
CP2294	MANHOLE	1050mm x 200mm	
CP2297	MANHOLE	1050mm Sloping	
CP2300	MANHOLE	1050mm x 300mm	
CP2306	MANHOLE	1050mm x 600mm	
CP2309	MANHOLE	1050mm x 900mm	
CP2312	MANHOLE	1050mm x 1200mm	
CP2315	MANHOLE	1050mm x 1500mm	
CP2318	MANHOLE	1050mm x 1800mm	
CP2326	BASE UNIT	1050mm x 600mm	
CP2329	BASE UNIT	1050mm x 900mm	
CP2333	MANHOLE	1200mm x 300mm	
CP2336	MANHOLE	1200mm x 900mm	
CP2339	MANHOLE	1200mm x 1200mm	

### ANCILLARY ITEMS

CP2350 MANHOLE BASE (Cast or component)  
 CP2355 MANHOLE CONE 1050 x 670mm High  
 CP2490 STEP IRON 375mm (300mm Centres)

CP2552 Bostik tape 17mm x 3.6M  
 CP2553 Bostik triangular tape 25mm x 3M  
 CP2554 VOLCLAY waterstop 10M Roll  
 CP2555 VOLCLAY waterstop Box (45.72M)  
 CP2556 VOLCLAY adhesive 1 Litre  
 CP2560 GATIC grease 4KG

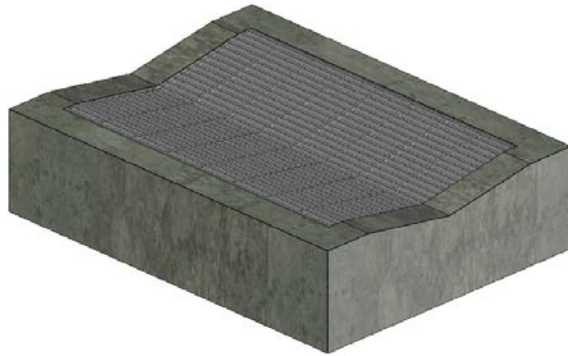
Hudson Civil manhole components are available in varying diameters from 650mm to 1200mm. For larger diameters we offer a range of large shaft liners which are also available as pump stations.

Base units available in both 600mm and 900mm high. Preformed knockouts allow for quick pipe penetrations to be made on site. Step iron holes do not pass through the wall ensuring water tightness once installed. One piece construction eliminates leaks at the base / wall joint.



## Pit surrounds - grated

CODE	DESCRIPTION	LENGTH	WIDTH	HEIGHT	DEPTH OF GRATE
CP3610	GRATED PIT SURROUND KSD303				



CODE	DESCRIPTION	LENGTH	WIDTH	HEIGHT	DEPTH OF V
CP3368	V GRATE 900mm x 600mm	1200	600	300	45
CP5118	V GRATE DIER P 15-3 900mm x 600mm	1200	600	300	150



## Precast Pits



- Pits manufactured with 40MPa concrete
- One piece construction
- "REID" Swift Lift system
- "Knock outs" for easy pipe penetrations
- Large range of grates and covers



CODE	DESCRIPTION	Functional Dimensions Internal			Functional Dimensions External		
		WIDTH	LENGTH	DEPTH	WIDTH	LENGTH	DEPTH
SP150	NO 1 Sump (No Base)	470	240	350	550	310	350
SP180	NO 2 Sump	470	240	350	550	310	400
SP190	NO 3 Sump	320	320	300	370	370	350
SP200	NO 5 Sump	400	400	300	520	520	340
SP220	NO 7 Sump (No Base)	500	300	740	600	400	740
SP230	NO 8 Sump	500	300	740	600	400	800
SP240	NO 9 Sump (No Base)	750	400	600	900	500	600
SP250	NO 10 Sump	750	400	600	900	500	650
HP111	NO 11 Pit	450	450	520	600	600	600
HP112	NO 11 Riser	450	450	Up to 520	600	600	Up to 520
HP121	NO 12 Pit	650	650	800	800	800	900
HP123	NO 12 Riser	650	650	Up to 800	800	800	Up to 800
HP131	NO 13 Pit	750	750	900	900	900	1000
HP132	NO 13 Riser	750	750	Up to 900	900	900	Up to 900
HP151	NO 15 Pit	1260	450	900	1400	600	1000
HP161	NO 16 Pit	1225	570	550	1370	700	600
HP171	NO 17 Pit	1550	900	700	1665	1050	800
HP181	NO 18 Pit	900	900	1100	1040	1040	1200
HP182	NO 18 Riser	900	900	Up to 1100	1040	1040	Up to 1100
HP191	NO 19 Pit	800	500	830	950	650	900
HP201	NO 20 Pit	1350	900	1200	1550	1100	1300
CP3359	Side Entry Pit Riser	900	600	300	1100	800	300
CP3360	Side Entry Pit Riser	900	600	Up to 900	1100	800	Up to 900
CP3361	Side Entry Pit	900	600	900	1100	800	1000
CP3362	Side Entry Pit H/D	900	600	1000	1200	900	1100
CP3400	Side Entry Pit LCC	850	750	1100	1050	950	1200
CP3405	Side Entry Pit Riser LCC	850	750	Up to 1200	1050	950	Up to 1200



## Spoon Drains, Trench Drains & Car Stops



### SPOON DRAINS 1200mm long

DESCRIPTION	WIDTH		HEIGHT	
	O/D	I/D	O/D	I/D
SMALL	150	85	80	40
SHALLOW	300	230	100	50
MEDIUM	200	130	120	70
LARGE	320	230	165	115



### TRENCH DRAINS

DESCRIPTION	LENGTH	WIDTH		HEIGHT	
		O/D	I/D	O/D	I/D
MEDIUM	1200mm H/D	240	140	150	80
MEDIUM	3000mm H/D	240	140	150	80
LARGE	1200mm H/D	370	220	280	195
LARGE	1200mm Class D	450	230	300	230



### CAR STOPS

- 2000mm Long
- Available in 100mm & 135mm High



## Stock Troughs

**HCP Stock Troughs offer superior strength, finish and quality over any competitor's trough in the Tasmanian market.**

Manufactured in our Launceston factory and available from various rural resellers, our troughs are built to cope with both the damage inflicted by stock and weather.

- Our precast concrete troughs are manufactured in one pour so that means no weak joints. – one piece moulding
- High strength concrete is used in all troughs
- Quality reinforcement is used in all troughs – No chicken mesh
- Certified lifting points ensure safe lifting for years – No rusty & dangerous wire
- Quality brass inlet and outlet – No cross threaded plastic threads
- Largest range in Tasmania

CIRCULAR TROUGHS							
Code and Description	DIAMETER	DEPTH	CAPACITY	INLET	OUTLET	WEIGHT	
DT090	NO. 9 TROUGH	650 mm	350 mm	55 L 12 G	20 mm	N/A	150 kg
DT110	NO. 11 TROUGH	1200 mm	500 mm	450 L 100 G	25 mm	50 mm	400 kg
DT120	NO. 12 TROUGH	1600 mm	475 mm	810 L 180 G	25 mm	50 mm	850 kg
DT130	NO. 13 TROUGH	1800 mm	600 mm	1360 L 300 G	25 mm	50 mm	975 kg
DT131	NO. 13 SQUAT	1820 mm	465 mm	1000 L 220 G	25 mm	50 mm	775 kg
DT140	NO. 14 TROUGH	2120 mm	690 mm	2270 L 500 G	25 mm	50 mm	1350 kg
DT141	NO. 14 SQUAT	2180 mm	475 mm	1250 L 275 G	25 mm	50 mm	1000 kg





## Stock Troughs

RECTANGULAR TROUGHS							
Code and Description		WIDTH	DEPTH	CAPACITY	INLET	OUTLET	WEIGHT
DT010	NO. 1 TROUGH	2400 x 650	400 mm	360L 80G	25 mm	50 mm	400 Kg
DT020	NO. 2 TROUGH	2140 x1220	450 mm	1000L 220G	25 mm	50 mm	850 Kg
DT025	NO. 15 TROUGH	2470 x 1400	770 mm	2000L 500G	25 mm	50 mm	1800 Kg



DOG BOWLS		
Code and Description		SIZE
DT070	DOG BOWL SMALL	180mm Dia. x 70mm Deep
DT071	DOG BOWL MEDIUM	245mm Dia. x 100mm Deep
DT072	DOG BOWL LARGE ROUND	360mm Dia. x 140mm Deep
DT080	DOG BOWL LARGE RECTANGULAR	300mm x 400mm x 170mm Deep



## Standard Wingwalls & Endwalls



SUBSOIL END WALL		WIDTH	LENGTH	HEIGHT
CP6100	SUBSOIL ENDWALL 100mm	325	350	355
CP6105	SUBSOIL ENDWALL 150mm	325	350	355
CP6110	SUBSOIL ENDWALL 225mm	325	350	355



MINI HEADWALL		WIDTH	LENGTH	HEIGHT
CP6170	MINI HEADWALL 225mm	750	200	750
CP6175	MINI HEADWALL 300mm	750	200	750



WINGWALLS		WIDTH	LENGTH	HEIGHT
CP6135	HEADWALL 225mm	1950	695	800
CP6140	HEADWALL 300mm	1950	695	800
CP6145	HEADWALL 375mm	1950	695	800
CP6150	HEADWALL 450mm	1950	695	800
CP6155	HEADWALL 525mm	2340	810	960
CP6160	HEADWALL 600mm	2340	810	960



"RURAL" WINGWALLS		WIDTH	LENGTH	HEIGHT
CP6120	RURAL HEADWALL 225mm	1260	650	525
CP6125	RURAL HEADWALL 300mm	1260	650	525
CP6130	RURAL HEADWALL 375mm	1260	650	525