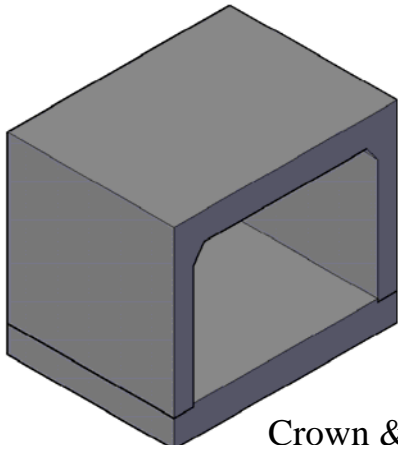
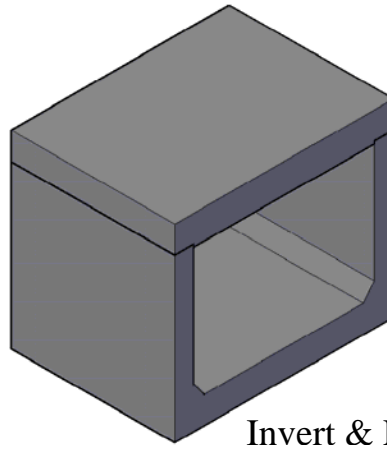


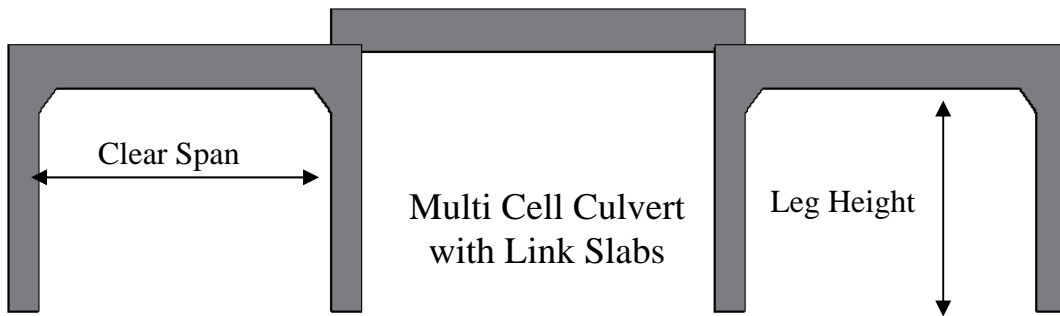
BOX CULVERTS



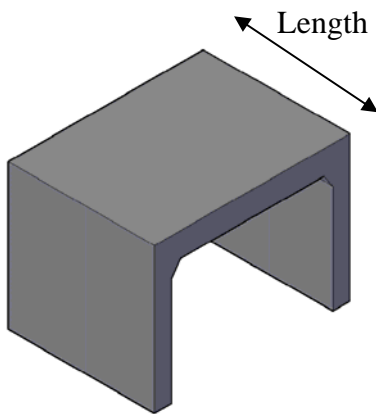
Crown & Base



Invert & Lid



Multi Cell Culvert
with Link Slabs



SPAN mm	LEG mm (minimum)	LEG mm (maximum)	LENGTH mm
300	300	1200	2440
600	300	1200	2440
900	300	1200	2440
1200	300	1200	2440
1500	300	2400	1220
1800	300	2400	1220
2100	300	2400	1220
2400	300	2400	1220
2700	300	2400	1220
3000	300	2400	1220
3300	300	3600	1220
3600	300	3600	1220

Culverts may be manufactured to any size for larger projects



- Precast Bases and Lids
- Link Slabs
- 'Checked' Link Slabs
- Precast Wing walls

Hudson Civil offers a full design and construct option with all culverts being designed to suit each project.

Launceston Office:
7 Donalds Avenue
Prospect, Tasmania
7250
Phone: 03 63358200
Fax: 03 63401881

Hobart Office:
9 Lampton Avenue
Derwent Park Tasmania
7009
Phone: 03 62730463
Fax: 03 62733438

