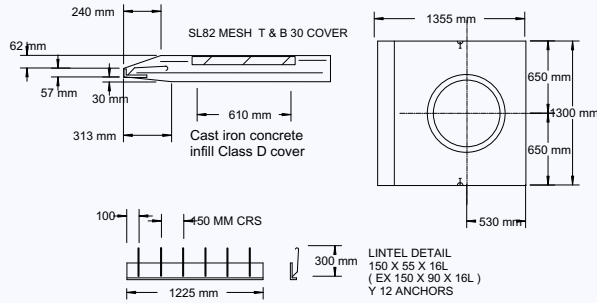
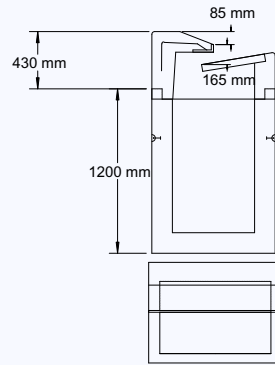


DIER STORMWATER PITS

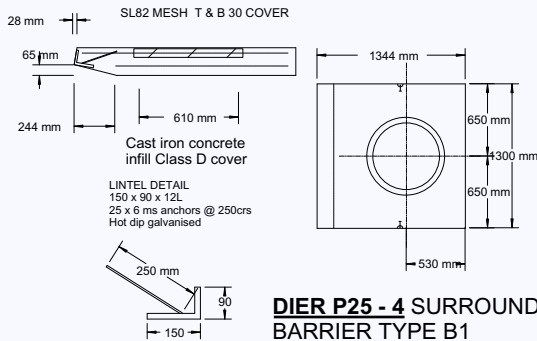
DIER Stormwater Pits



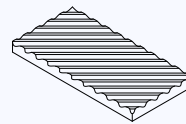
**DIER P24-4 SURROUND & LID
MOUNTABLE TYPE
SUITS 900 x 900 ID PIT**



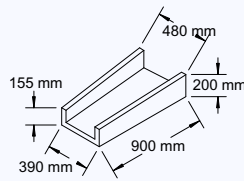
**DIER P26-2 PLAN VIEW
GRATED SIDE ENTRY ASSEMBLY**



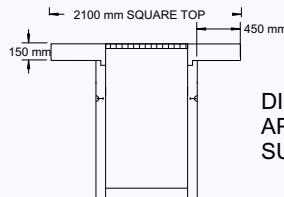
**DIER P25-4 SURROUND & LID
BARRIER TYPE B1
SUITS 900 x 900 ID PIT**



**DIER DEFLECTOR UNIT FOR USE
WITH SIDE ENTRY PIT SURROUNDS**

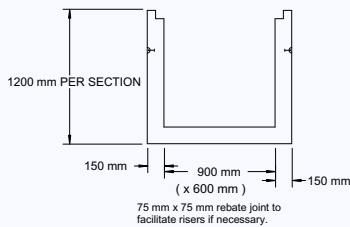


DIER BATTER CHANNEL

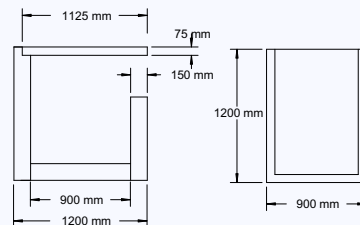
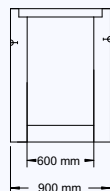


**DIER P20-2
APRON AND GRATE
SUITS 900 x 900 ID PIT**

**DIER STANDARD 900 mm x 900 mm PITS (ID)
150 TH
VERTICAL SIDES TO INCORPORATE RISERS.
POSITION OF REBATED JOINT FOR APRON MAY VARY.**



**DIER STANDARD 900 x 600 ID PIT
1200 SECTIONS, RISERS AVAILABLE**



**DIER P23 - 2
CATCH PIT
PRECAST PIT & LID**

Launceston Office:
7 Donalds Avenue
Prospect, Tasmania 7250
Phone: 03 63445570
Fax: 03 63401881

Hobart Office:
9 Lampton Avenue
Derwent Park Tasmania 7009
Phone: 03 62730463
Fax: 03 62733438

