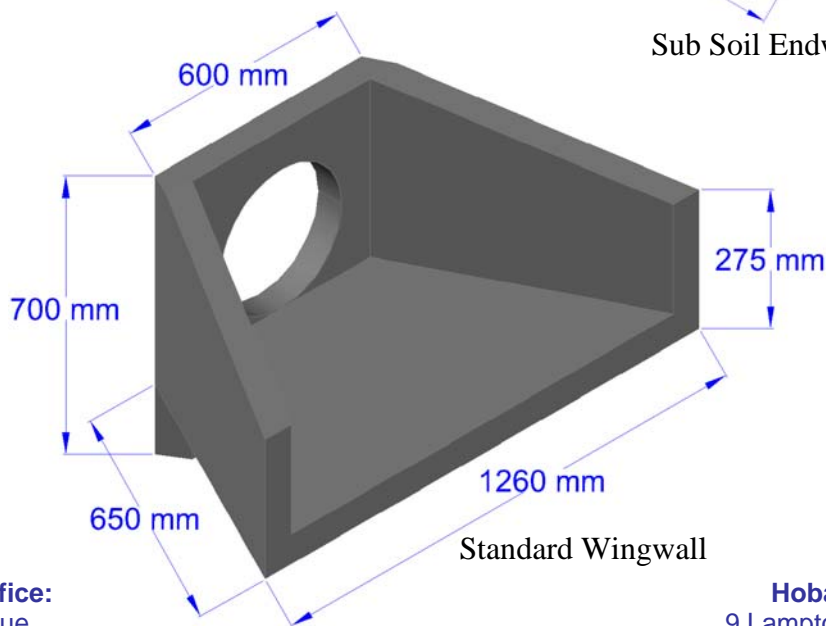
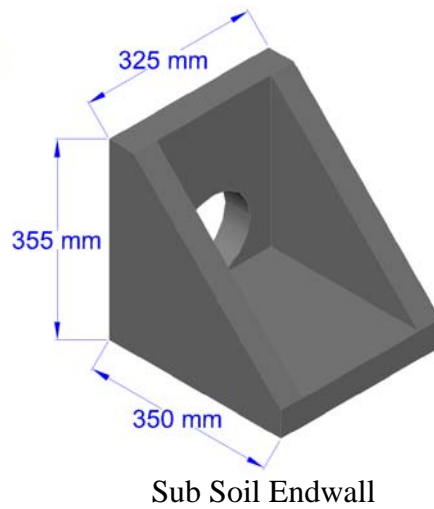
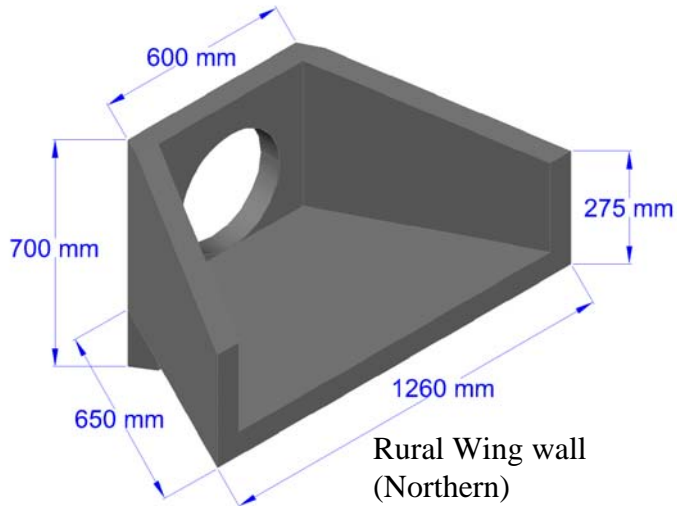
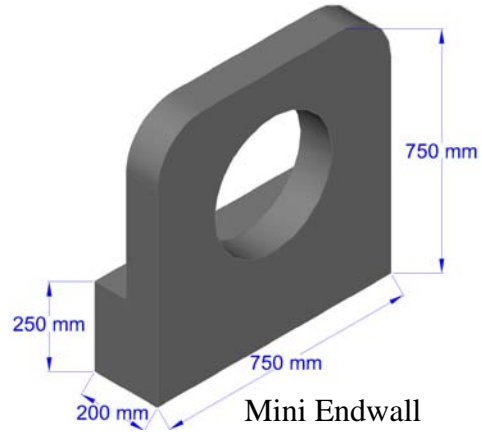
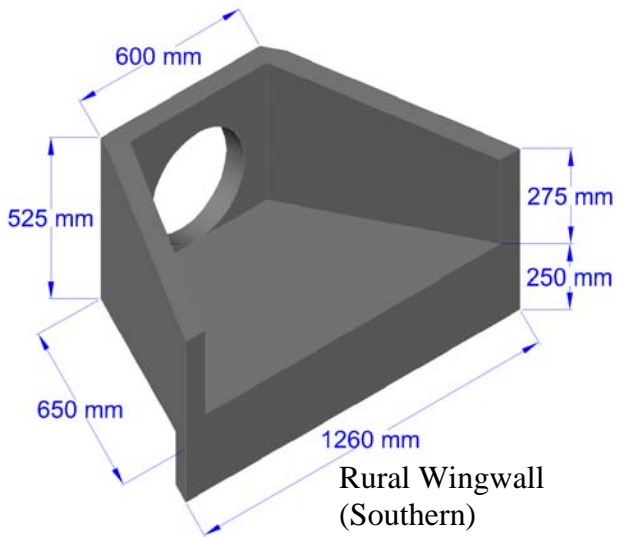


ENDWALLS



Launceston Office:
 7 Donalds Avenue
 Prospect, Tasmania
 7250
 Phone: 03 63358200
 Fax: 03 63401881

Hobart Office:
 9 Lampton Avenue
 Derwent Park Tasmania
 7009
 Phone: 03 62730463
 Fax: 03 62733438

ENDWALLS