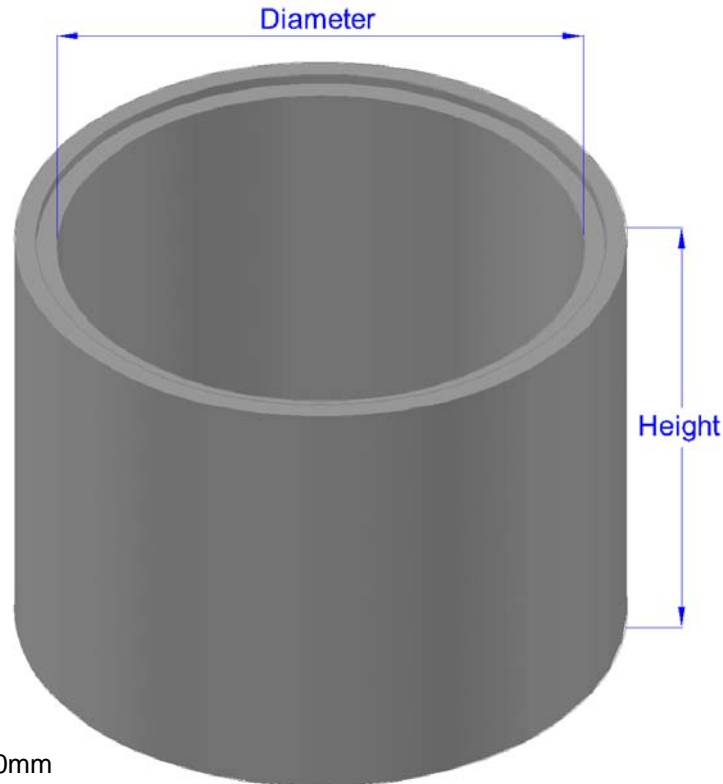


MANHOLE SHAFTS



MANHOLE SHAFTS

Manhole shafts

Code Description

CP-2-100	MANHOLE - 650mm x 300mm
CP-2-105	MANHOLE - 650mm x 150mm
CP-2-110	MANHOLE - 650mm x 450mm
CP-2-203	MANHOLE - 900mm x 300mm
CP-2-206	MANHOLE - 900mm x 600mm
CP-2-209	MANHOLE - 900mm x 900mm
CP-2-292	MANHOLE - 1050mm x 100mm
CP-2-293	MANHOLE - 1050mm x 150mm
CP-2-294	MANHOLE - 1050mm x 200mm
CP-2-297	MANHOLE - 1050mm Sloping (max 45 Deg x 600)
CP-2-300	MANHOLE - 1050mm x 300mm
CP-2-306	MANHOLE - 1050mm x 600mm
CP-2-309	MANHOLE - 1050mm x 900mm
CP-2-312	MANHOLE - 1050mm x 1200mm
CP-2-315	MANHOLE - 1050mm x 1500mm
CP-2-318	MANHOLE - 1050mm x 1800mm
CP-2-326	BASE UNIT-1050mm x 600mm
CP-2-329	BASE UNIT-1050mm x 900mm
CP-2-333	MANHOLE - 1200mm x 300mm
CP-2-336	MANHOLE - 1200mm x 900mm
CP-2-339	MANHOLE - 1200mm x 1200mm

ANCILLARY ITEMS

CP-2-350	MANHOLE BASE (Cast on or component)
CP-2-355	MANHOLE CONE x 670mm High
CP-2-490	STEP IRON - 375mm (300mm Centers)
CP-2-552	TAPE-Bostik 17mm x 3.6M
CP-2-553	TRI BOSTIK 25mm x 3M
CP-2-554	VOLCLAY WATERSTOP 10M ROLL
CP-2-555	VOLCLAY WATERSTOP 45.72M
CP-2-556	VOLCLAY ADHESIVE 1 LITRE
CP-2-560	GATIC GREASE - 4KG

Launceston Office:

7 Donalds Avenue
Prospect, Tasmania
7250
Phone: 03 63358200
Fax: 03 63401881

Hobart Office:

9 Lampton Avenue
Derwent Park Tasmania
7009
Phone: 03 62730463
Fax: 03 62733438



HUDSON
CIVIL PRODUCTS