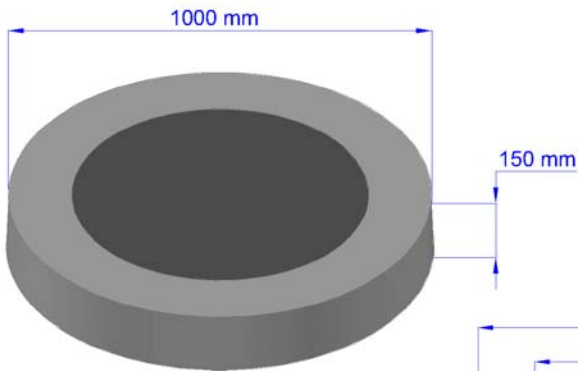
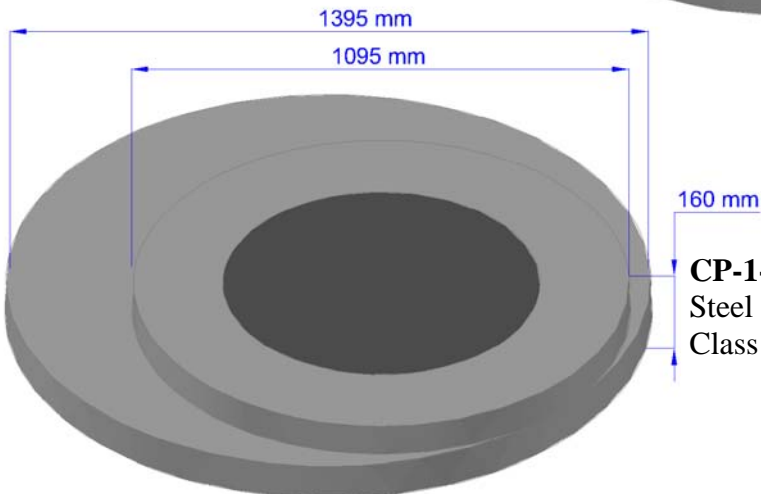
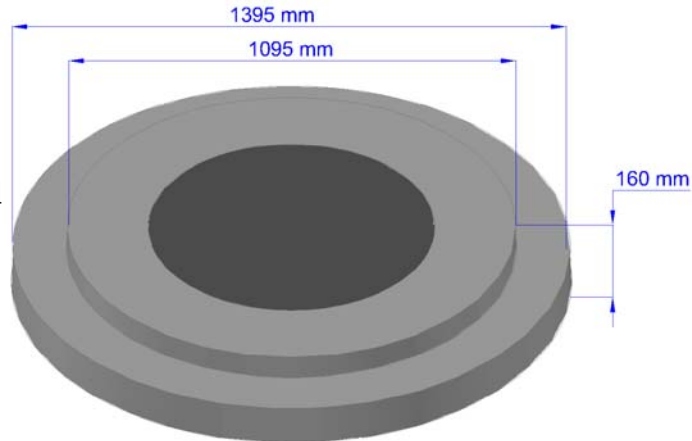


MANHOLE SURROUNDS



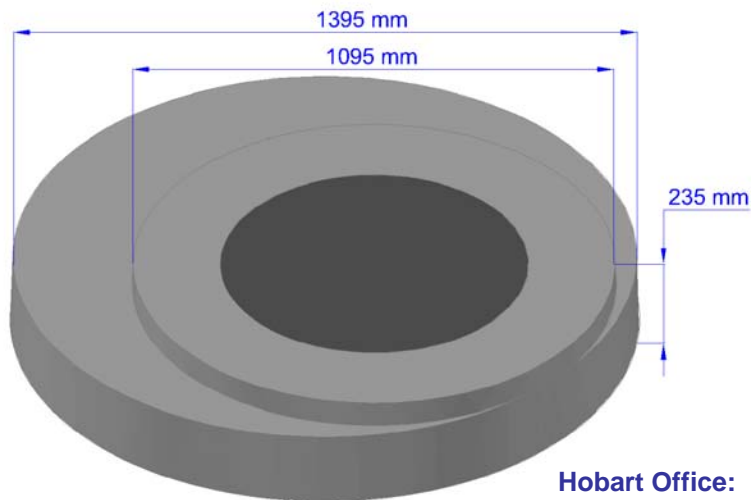
CP-1-150 750mm Surround
Steel Banded Lid
Class B Cast Iron
Class D Cast Iron (250mm Thick)
Class D Grate (250mm Thick)

CP-1-151 Devonport Surround
Steel Banded Lid
Class B Cast Iron



CP-1-165 Offset Surround
Steel Banded Lid
Class B Cast Iron

CP-1-170 Highway Surround
Class D Cast Iron Lid
Class D Grate



Launceston Office:
7 Donalds Avenue
Prospect, Tasmania
7250
Phone: 03 63358200
Fax: 03 63401881

**ALL SURROUNDS ARE
600mm CLEAR OPENING**

Hobart Office:
9 Lampton Avenue
Derwent Park Tasmania
7009
Phone: 03 62730463
Fax: 03 62733438

MANHOLE SURROUNDS



HUDSON
CIVIL PRODUCTS