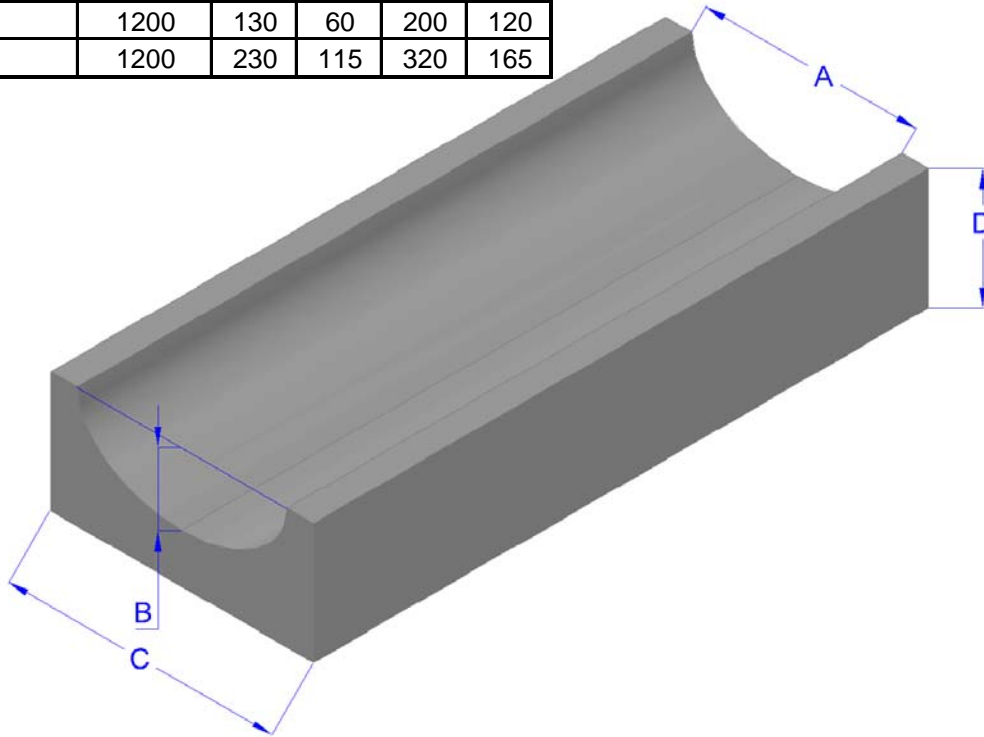
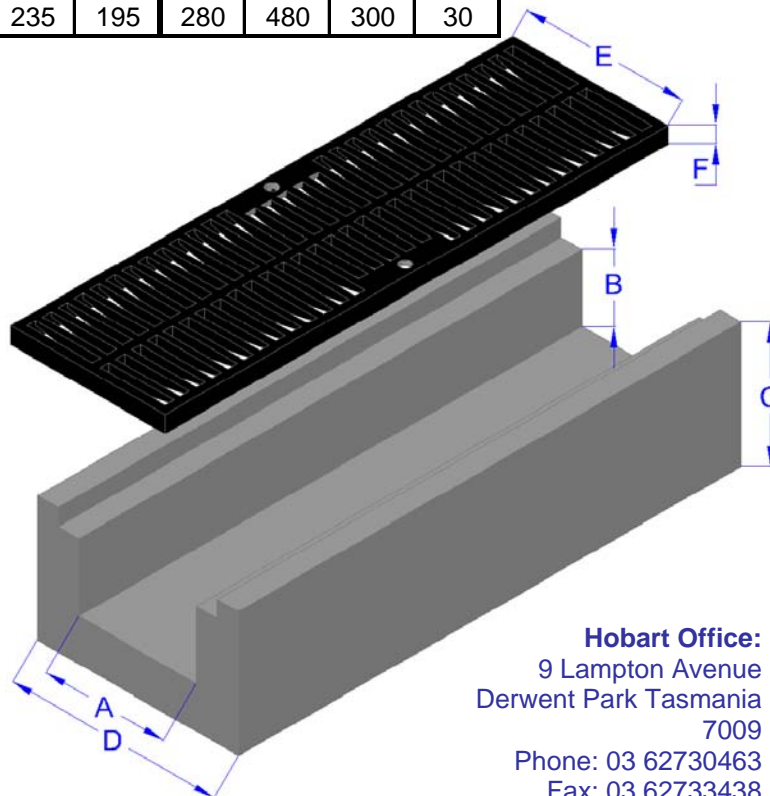


SPOON & TRENCH DRAINS

SPOON DRAINS					
DESCRIPTION	LENGTH	A	B	C	D
SMALL	1200	85	35	150	80
SHALLOW	1200	230	45	300	100
MEDIUM	1200	130	60	200	120
LARGE	1200	230	115	320	165



TRENCH DRAINS							
DESCRIPTION	LENGTH	A	B	C	D	E	F
MEDIUM	3000	140	80	185	240	150	20
MEDIUM	1200	140	80	185	240	150	20
LARGE Class D	1200	235	195	280	480	300	30



Launceston Office:
 7 Donalds Avenue
 Prospect, Tasmania
 7250
 Phone: 03 63358200
 Fax: 03 63401881

Hobart Office:
 9 Lampton Avenue
 Derwent Park Tasmania
 7009
 Phone: 03 62730463
 Fax: 03 62733438